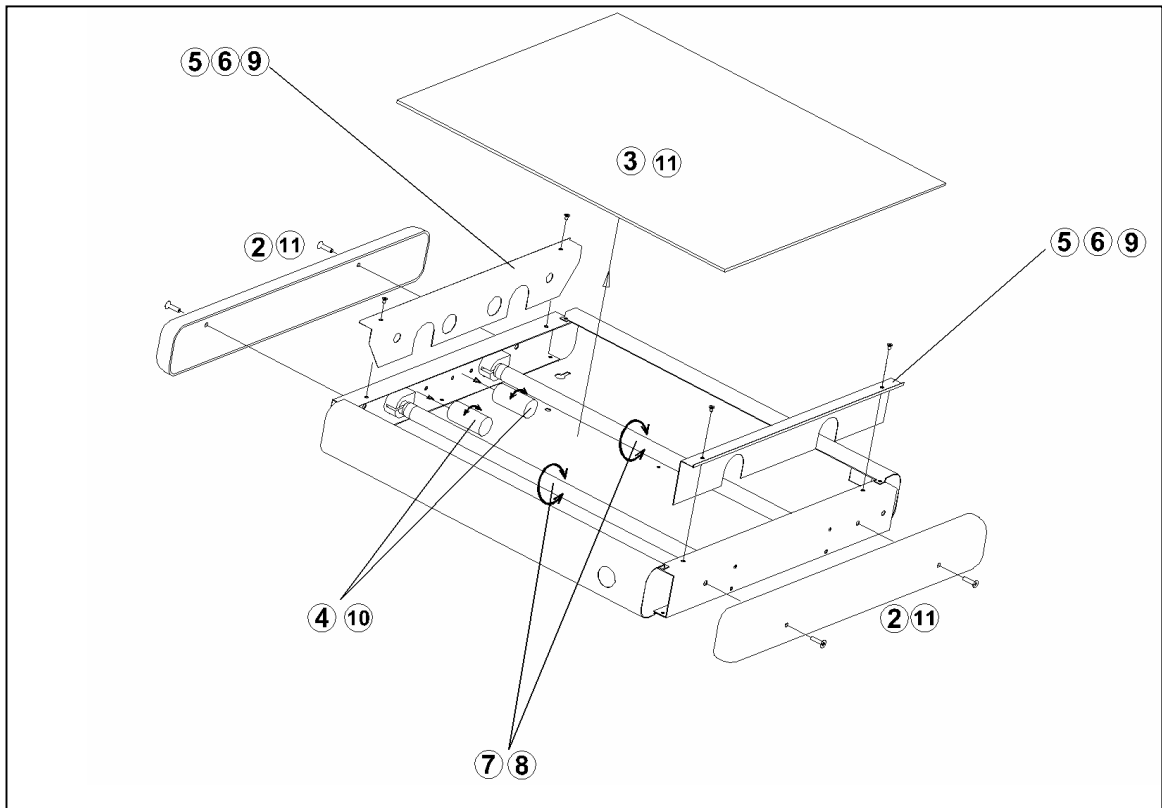




Smart Light 5000 (units 2, 2A, 2B, 2C)
Tube Replacement



- Step 1** Remove Power Supply !!
- Step 2** Remove 2 screws located on both side end caps.
- Step 3** Carefully remove front panel.
- Step 4** Remove the 2 ballasts as shown. (Do not throw away – will be needed later.)
- Step 5** Locate shields on both sides of unit as shown.
- Step 6** Remove both shields (2 screws on each).
- Step 7** Turn bulbs ¼ turn and remove.
- Step 8** Replace new bulb, turn ¼ turn to secure in unit.
- Step 9** Replace both shields and secure with 2 screws on each side.
- Step 10** Reinsert the 2 ballasts from **step 4**
- Step 11** Replace front panel and end caps.

Remember to change your bulbs every 2500 hours.

