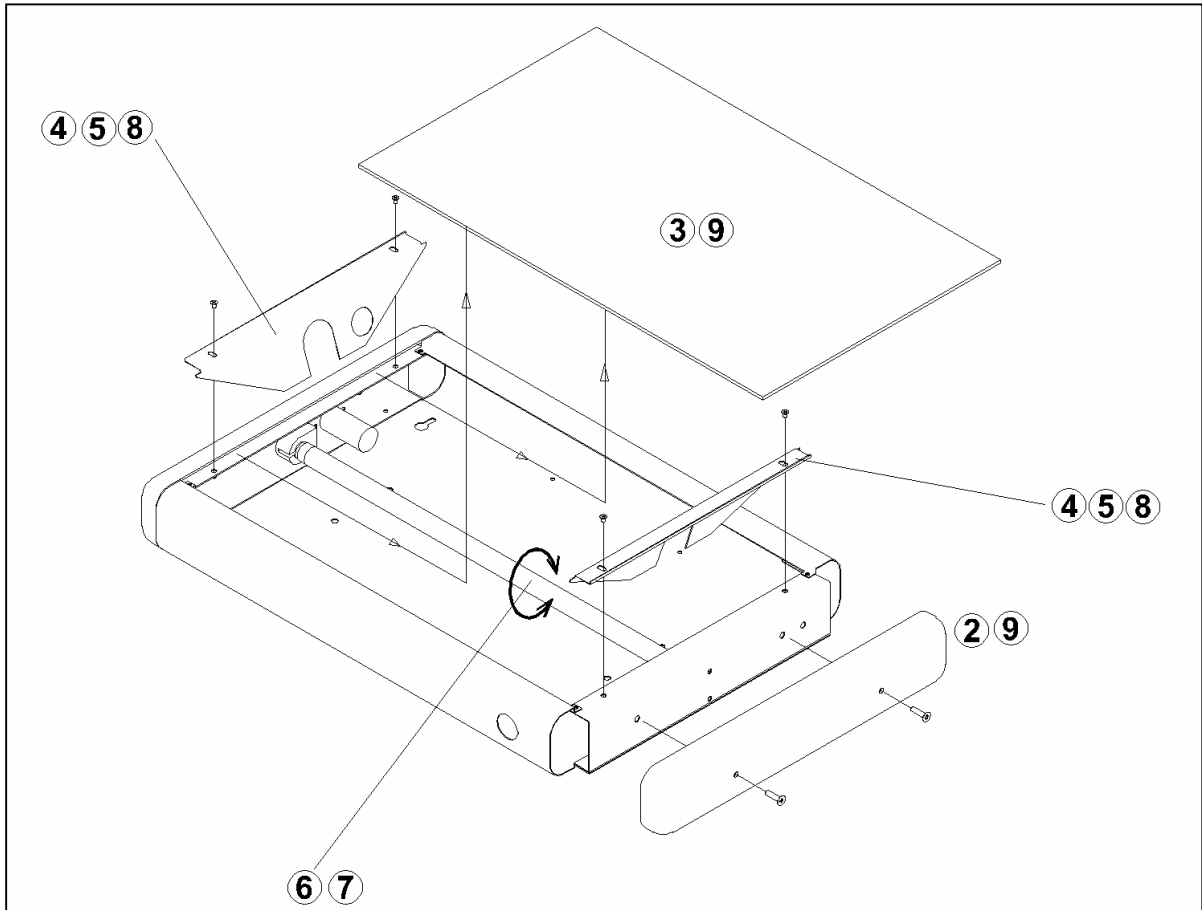




Smart Light 5000 (units 1, 1A) Tube Replacement



- Step 1** Remove Power Supply !!
- Step 2** Remove 2 screws located the end cap on the right side.
- Step 3** Carefully remove front panel.
- Step 4** Locate shields on both sides of unit as shown.
- Step 5** Remove both shields (2 screws on each).
- Step 6** Turn bulb ¼ turn and remove.
- Step 7** Replace new bulb, turn ¼ turn to secure in unit.
- Step 8** Replace both shields and secure with 2 screws on each side.
- Step 9** Replace front panel and end cap.

Remember to change your bulbs every 2500 hours.

