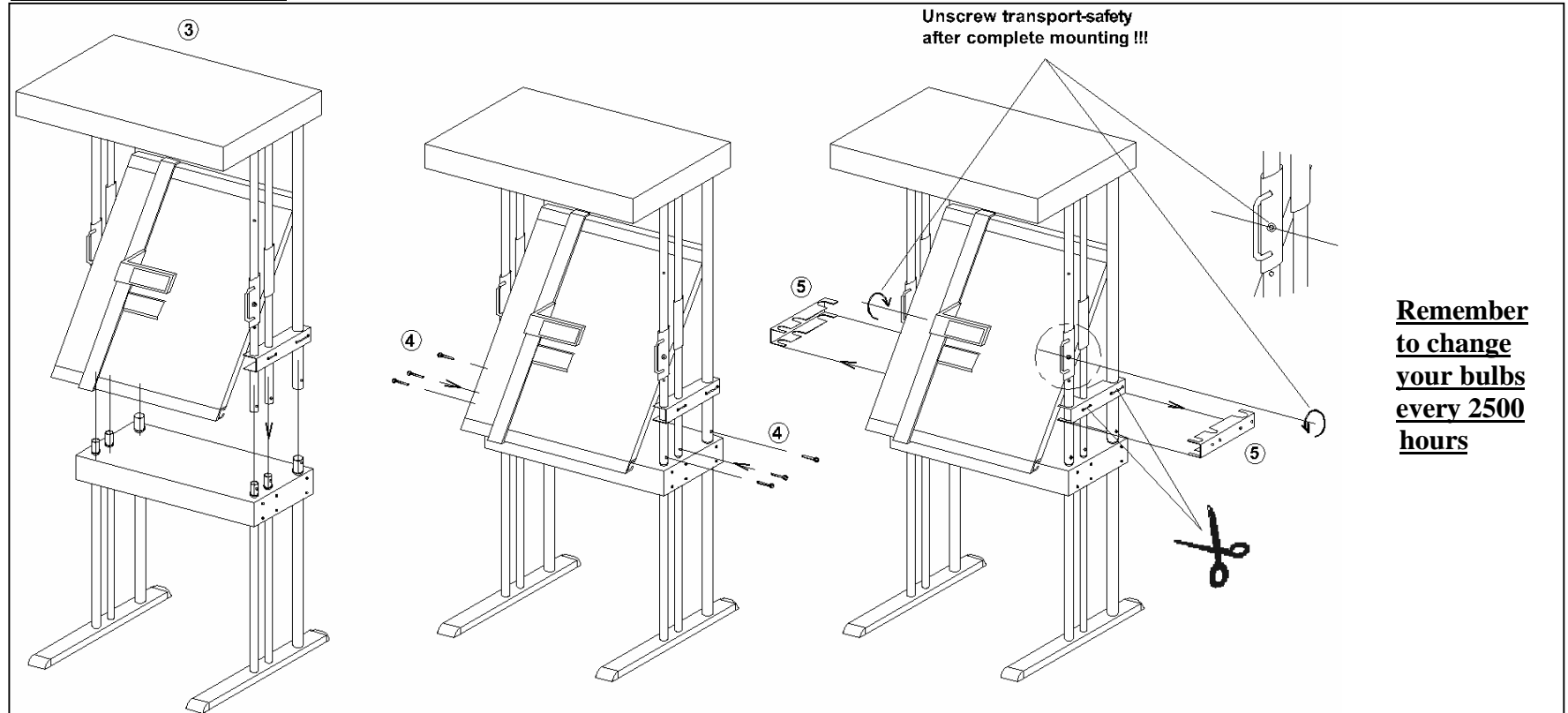




CtP PRO (units 1, 2, 3)



- Step 1** Remove unit from crate
- Step 2** Place base on floor
- Step 3** Carefully lift top of unit and place poles into base of unit (be sure light is faces out as the legs of unit do)
- Step 4** Secure top poles with 3 screws on each side
- Step 5** Remove metal bracket from poles as shown (1 on each side.) These are for transport only!
- Step 6** Be sure to place unit on a level surface